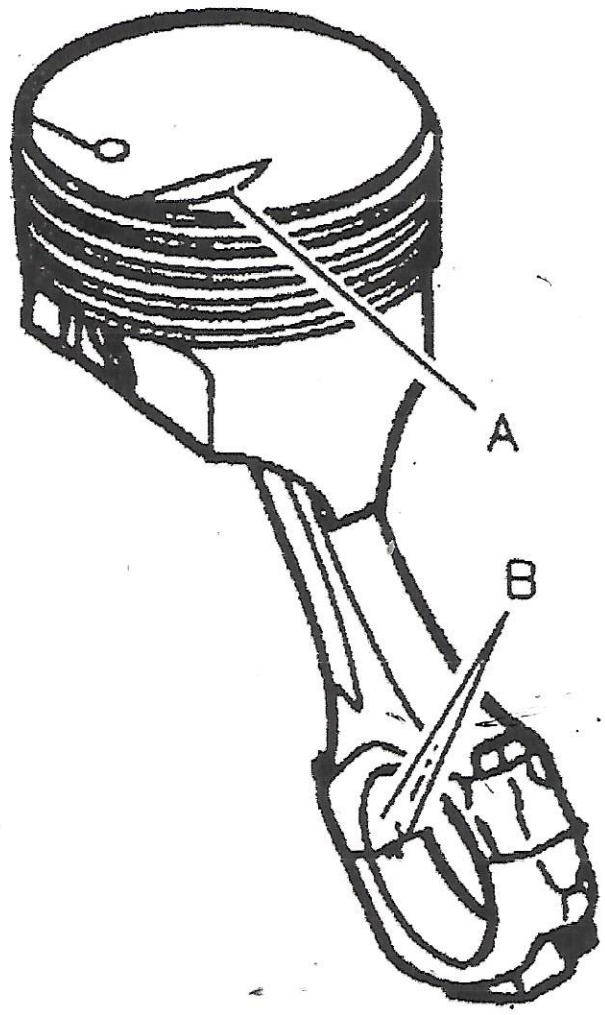


The information contained within PROSIS PRO is provided by the best available sources. AERA does not assume responsibility for data accuracy or consequences of its application. Members and others are not authorized to reproduce or distribute this material or issue it to branches, divisions or subsidiaries at a different location. ©Copyright AERA 2019

Overview **Created: Jan 15, 1993** **Edited: Apr 16, 2018**

VEHICLE TYPE: Car/Truck FUEL TYPE: Gas ENGINE CODE: -
MAKE: CHEVROLET MODEL: CAPRICE YEAR: 1976-1979 VIN: S LITER:7.4 CID: 454 CYL: V 8

Block



- A VALVE CUTOUT MUST ALWAYS BE CLOSEST TO CENTERLINE OF ENGINE
- B CONNECTING ROD BEARING TANG SLOTS MUST ALWAYS FACE OUTSIDE OF ENGINE
- C IF PISTONS HAVE DOUBLE VALVE NOTCHES, DIMPLE MUST FACE FRONT OF ENGINE

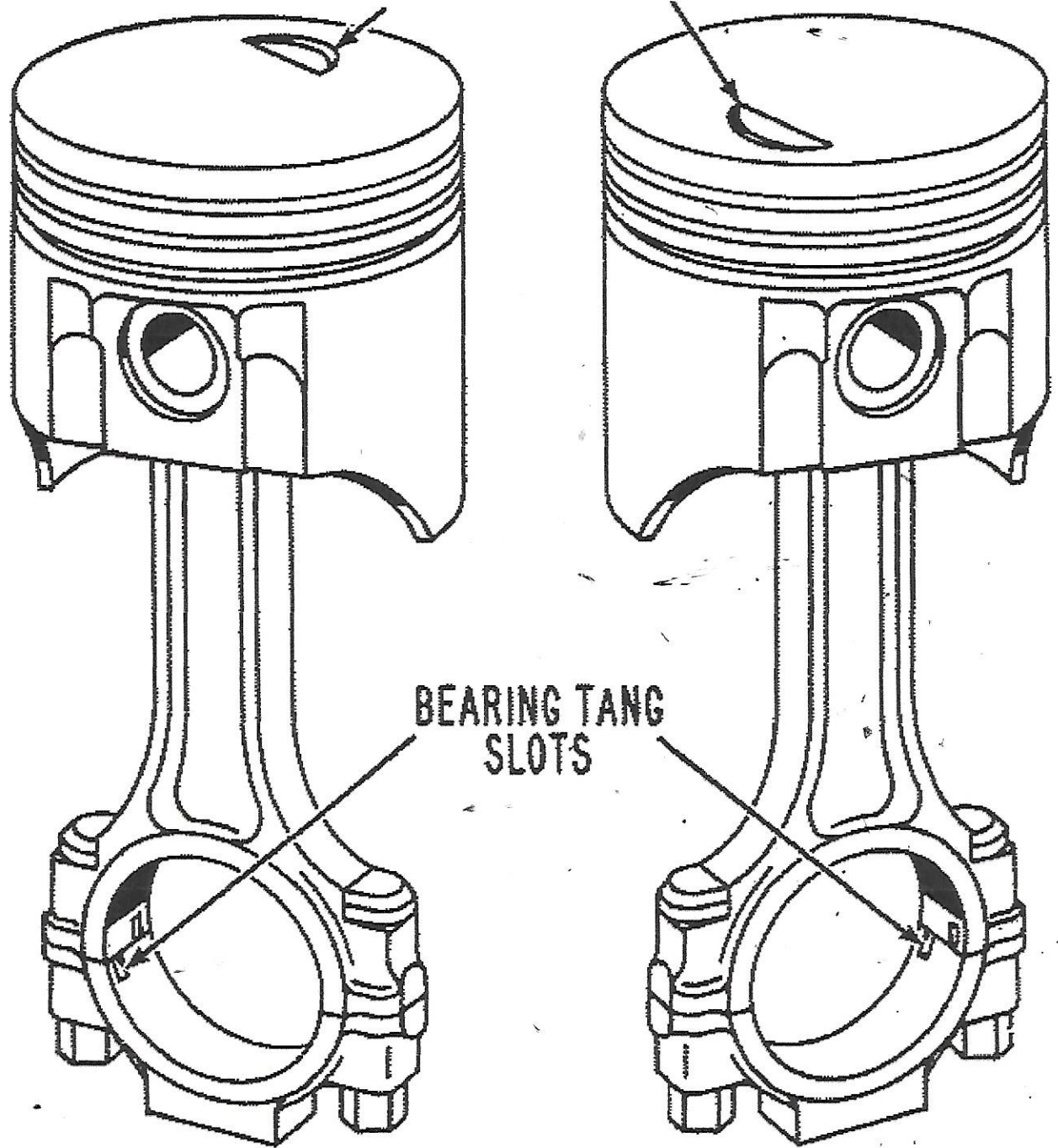
The information contained within PROSIS PRO is provided by the best available sources. AERA does not assume responsibility for data accuracy or consequences of its application. Members and others are not authorized to reproduce or distribute this material or issue it to branches, divisions or subsidiaries at a different location. ©Copyright AERA 2019

Overview **Created: Jan 15, 1993** **Edited: Apr 16, 2018**

VEHICLE TYPE: Car/Truck FUEL TYPE: Gas ENGINE CODE: -
MAKE: CHEVROLET MODEL: CAPRICE YEAR: 1976-1979 VIN: 'S LITER:7.4 CID: 454 CYL: V 8

Block

VALVE DEPRESSIONS



RIGHT BANK

LEFT BANK

The information contained within PROSIS PRO is provided by the best available sources. AERA does not assume responsibility for data accuracy or consequences of its application. Members and others are not authorized to reproduce or distribute this material or issue it to branches, divisions or subsidiaries at a different location. ©Copyright AERA 2019

Overview

Created: Jan 15, 1993

Edited: Apr 16, 2018

VEHICLE TYPE: Car/Truck

FUEL TYPE: Gas

ENGINE CODE: -

MAKE: CHEVROLET

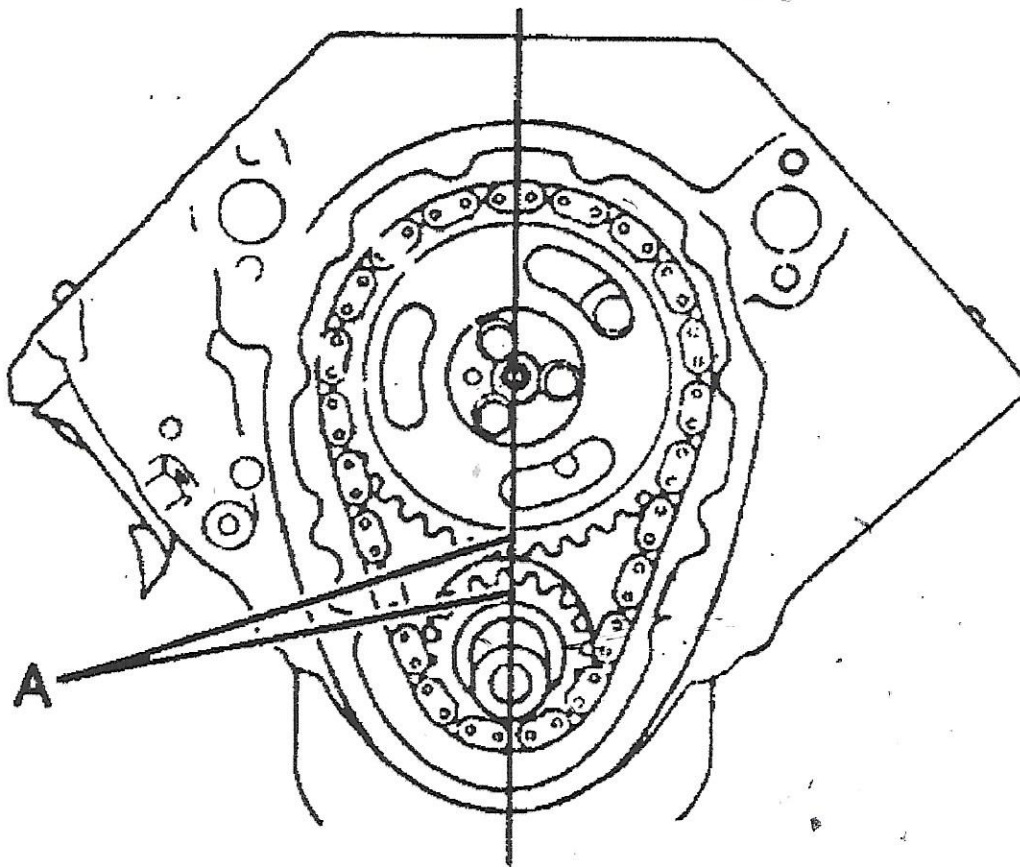
MODEL: CAPRICE

YEAR: 1976-1979

VIN: S LITER:7.4

CID: 454 CYL: V 8

Timing



A ALIGN MARKS AS SHOWN

Timing Mark Alignment